

# Brass Filter Ball Valve



Screwed BSPP, with Built-in Filter Mesh

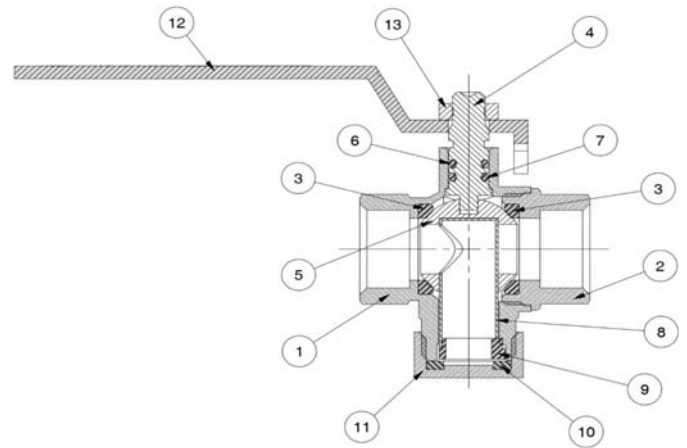


## Pressure / Temperature Specifications

Pressure	PN30 ½" to 1"
	PN20 1¼" to 2"
Temperature	-10°C to 100°C

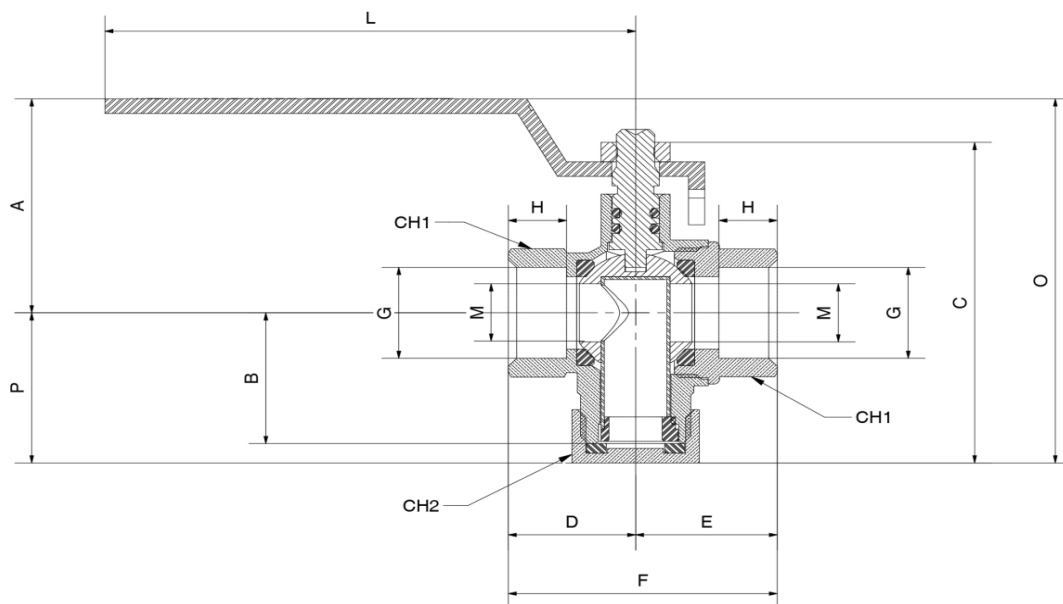
## Material Specifications

1. Body	CW617N Brass
2. End Connection	CW617N Brass
3. Seals	PTFE
4. Stem	CW614N Brass
5. Ball	CW617N Brass
6. O-ring	NBR
7. O-ring	FKM
8/9. Filter	Stainless Steel 304 & Nylon
10. Flat Seal	NBR
11. Plug	CW614N Brass
12. Lever / Tee Handle	Zinc Plated Steel & Plastic
13. Nut	Zinc Plated Steel



## Dimensions

Size	A	B	C	D	E	F	H	L	M	O	P	CH1	CH2	Kg
½"	44.2	27	66.2	24	26.7	50.7	11	100	12	75.2	31	25	24	0.24
¾"	47.4	30.9	73.5	29	32.3	61.3	13	100	16	82.5	35.1	31	30	0.36
1"	50.8	34.5	80.5	34.5	35.6	70.1	15	100	20	89.5	38.7	38	38	0.55
1¼"	74	46.5	106	40	45	85	17	158	28	125.5	51.5	48	46	1.03
1½"	80	52.5	118	45.5	52	97.5	17	158	36	137.5	57.5	54	55	1.45
2"	88.5	63.5	143	54	63	117	20	158	46	157	68.5	66	65	2.38



## Dimensions

Size	L1
½"	68
¾"	68
1"	68