

Technical Data

Booster set name

1GPE MATRIX 3-5T/0.75 ESPM

Customer	Date	05.04.2024	Company
Contact	Item no.		Issued by
Phone	Project		Phone
E-mail	Project ID		E-mail

Requested data

1	Pump type	Booster Set	Fluid	Water
2	Number of pumps	1	Liquid temperature °C	20
3	Flow m ³ /h		Kin. viscosity cSt	1.005
4	Head m		Vapour pressure kPa	2.34
5	Geodetic head m		PH value	
6	Inlet pressure kPa	0	Density kg/m ³	998.3
7	Available system NPSH	Ask our technical department.	Solids Weight %	0
8	Ambient temperature °C	20	Installation height m	100

Booster Set

9	Booster set name	1GPE MATRIX 3-5T/0.75 ESPM	Frequency Hz	50	
10	Design	Booster Set			
11	Manufacturer		Impeller Dia.	Max. mm	99
12	Speed rpm	2850		Designed mm	99
13	No. of Stage	5		Min. mm	99
14	Connection Suction side	G1 F PN10	Flow	Operating m ³ /h	
15	Connection Discharge side	G1 F PN10		Max- m ³ /h	4.8
16	Max Working Pressure kPa	1000		Min- m ³ /h	1.2
17	Shut-off head kPa	553.21	Head	Operating m	
18	Total weight kg	See the table of "Dimensions".		- (Qmax.) m	20.0
19	Shaft power kW			- (Qmin.) m	52.2
20			Max. Shaft Power at max. impeller kW	0.73	
21	Required NPSH m		Efficiency %		

Materials

22	Check valve	AISI 304/Silicone	O-ring	EPDM
23	Impeller	AISI 304		
24	Casing	AISI 304		
25	External pump casing	AISI 304		
26	Shaft	AISI 304		
27	Shaft seal	Ceramic/Carbon/EPDM		

Motor

28	Manufacturer	EPE Standard	Insulation class	F
29	Type	TEFC_MATRIX 3-5T/0.75_230_Three Phase	Phases	3~
30	Specific design	IE3 / 50 Hz / Pole pairs 1	Frame size	
31	Rated power kW	0.75	Weight; motor kg	
32	Number of poles	2	Electric voltage V	230
33	Speed rpm	2850	Electric current A	3
34	Degree of protection	IP 55		
35				

Remarks

Performance curve

Booster set name

1GPE MATRIX 3-5T/0.75 ESPM

Customer	Date 05.04.2024	Company
Contact	Item no.	Issued by
Phone	Project	Phone
E-mail	Project ID	E-mail

Requested data

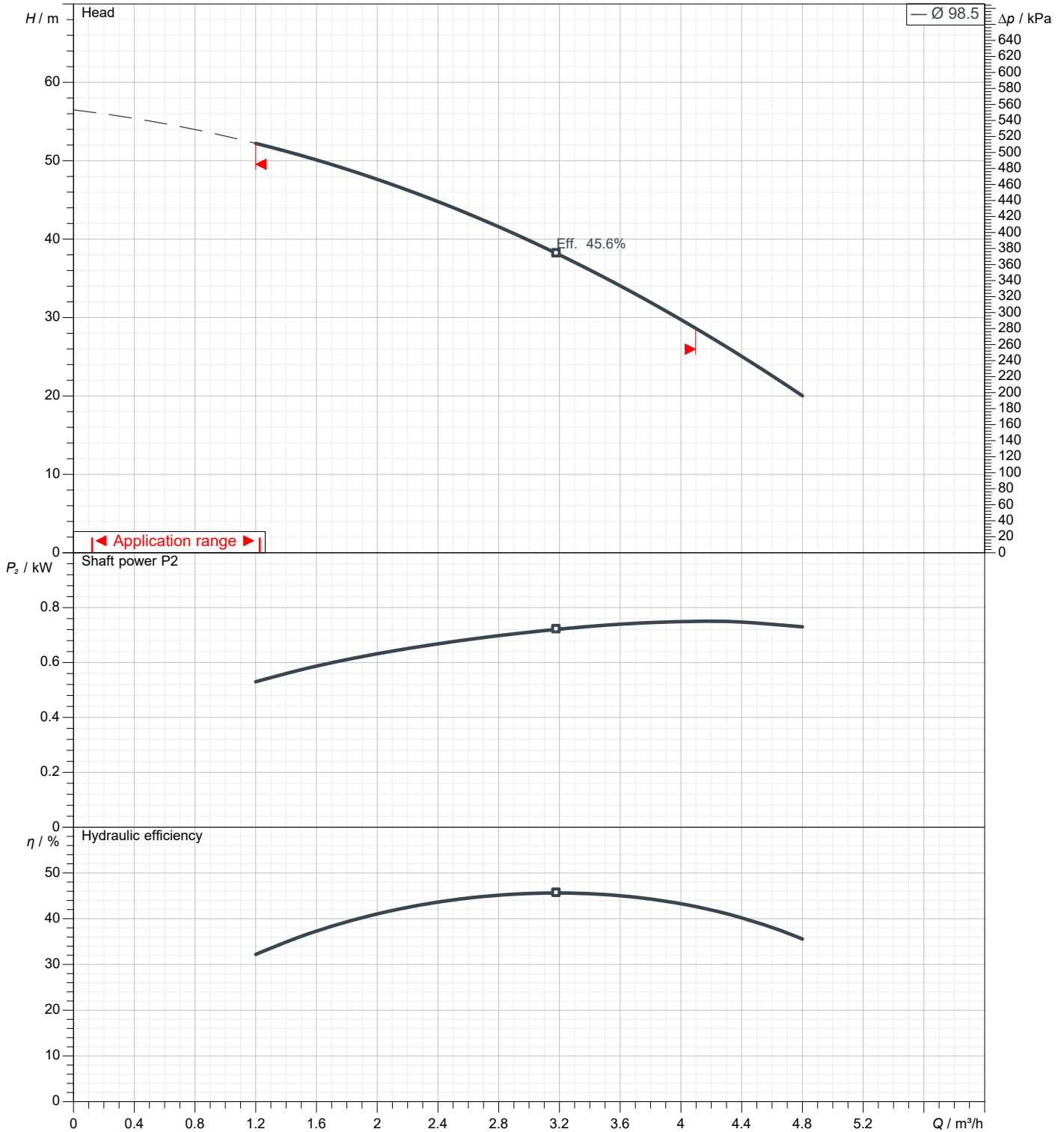
1	Flow	m³/h	
2	Head	m	
3	Geodetic head	m	

Booster set

Operating flow	m³/h	Frequency	Hz	50
Operating head	m	Number of poles		2
ImpellerDiameter Designed	mm	99	Speed	rpm 2850

Test standard: ISO 9906:2012 - Grade3B

Water; 20°C; 998.3kg/m³; 1cSt

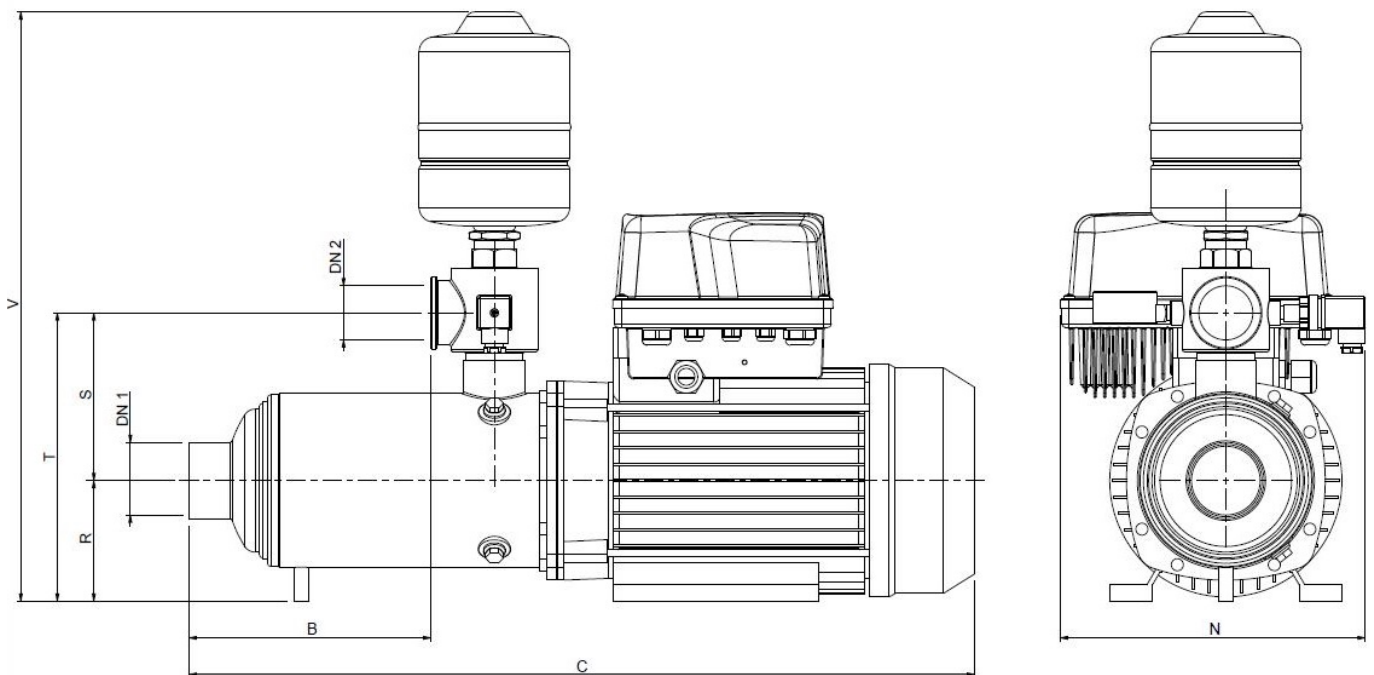


Dimensions

Booster set name

1GPE MATRIX 3-5T/0.75 ESPM

Customer	Date 05.04.2024	Company
Contact	Item no.	Issued by
Phone	Project	Phone
E-mail	Project ID	E-mail



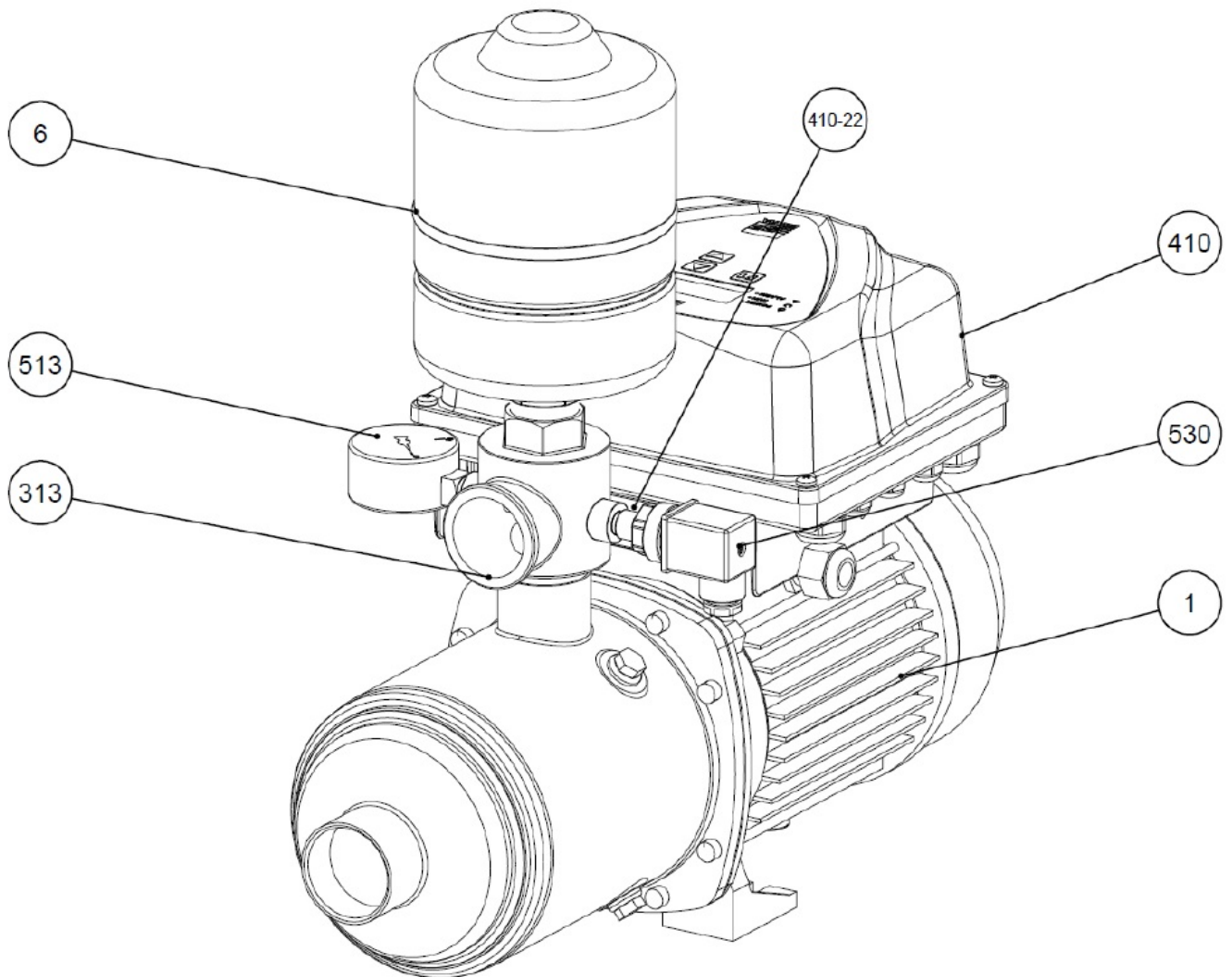
Dimensions in		mm						
1	B	101						
2	C	408						
3	DN1	G1 F						
4	DN2	G1 F						
5	N	243						
6	R	90						
7	S	133						
8	T	223						
9	V	461						
10	Weight kg	16.9						
11								
12								
13								
14								
15								

(1/2) Construction

Booster set name

1GPE MATRIX 3-5T/0.75 ESPM

Customer	Date 05.04.2024	Company
Contact	Item no.	Issued by
Phone	Project	Phone
E-mail	Project ID	E-mail



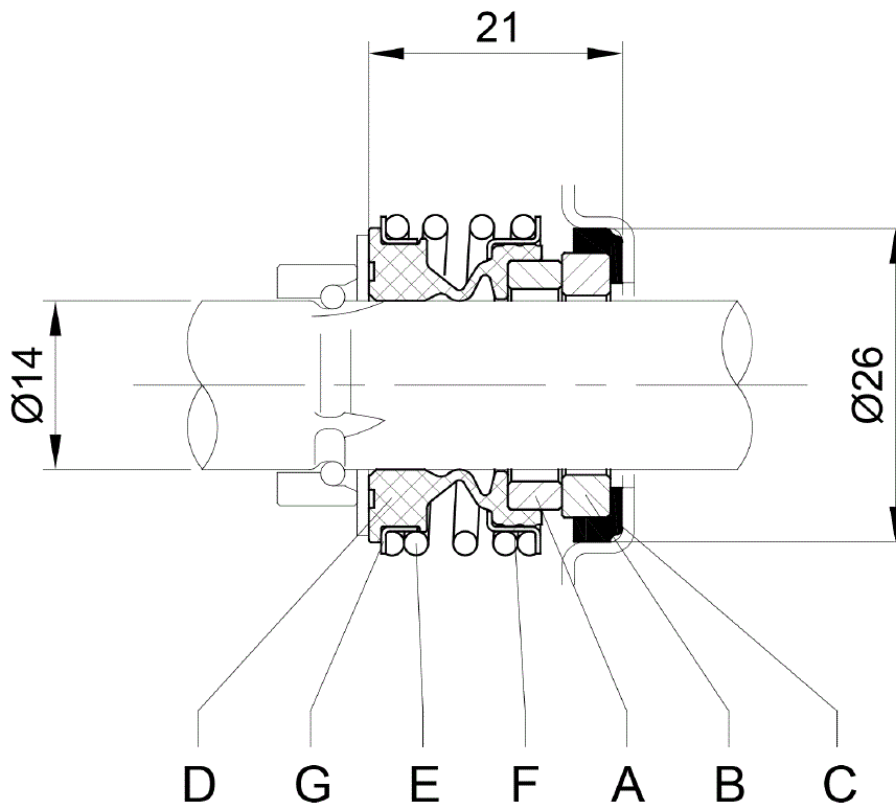
N°	PART NAME	MATERIAL	Quantity
1	Electropump	-	1
6	Membrane Vessel	-	1
313	5-Way Check Valve	AISI 304	1
410	E-SPD+	-	1
410-22	E-SPD+ adaptor	-	1
513	Pressure gauge	Copper alloy / plastic	1
530	Pressure transmitter	-	1

(2/2)
Construction

Booster set name
1GPE MATRIX 3-5T/0.75 ESPM

Customer	Date 05.04.2024	Company
Contact	Item no.	Issued by
Phone	Project	Phone
E-mail	Project ID	E-mail

MECHANICAL SEAL



	A	B	C	Material	E	F	G
	Rotary seal ring	Stationary seal ring	Gasket	D Bellows	Spring	Frame	Retainer ring
STANDARD*	Carbon	Ceramic	EPDM	EPDM	EN 1.4402 (AISI 316)	EN 1.4402 (AISI 316)	EN 1.4402 (AISI 316)

*Approval for drinking water application
WRAS Approval product

