

Technical Data

Booster set name

1GPE MATRIX 5-5T/1.3 ESPM

| | | | |
|----------|------------|------------|-----------|
| Customer | Date | 05.04.2024 | Company |
| Contact | Item no. | | Issued by |
| Phone | Project | | Phone |
| E-mail | Project ID | | E-mail |

Requested data

| | | | | |
|---|------------------------|-------------------------------|---------------------------|-------|
| 1 | Pump type | Booster Set | Fluid | Water |
| 2 | Number of pumps | 1 | Liquid temperature °C | 20 |
| 3 | Flow m ³ /h | | Kin. viscosity cSt | 1.005 |
| 4 | Head m | | Vapour pressure kPa | 2.34 |
| 5 | Geodetic head m | | PH value | |
| 6 | Inlet pressure kPa | 0 | Density kg/m ³ | 998.3 |
| 7 | Available system NPSH | Ask our technical department. | Solids Weight % | 0 |
| 8 | Ambient temperature °C | 20 | Installation height m | 100 |

Booster Set

| | | | | | |
|----|---------------------------|--------------------------------|--------------------------------------|-----------------------------|------|
| 9 | Booster set name | 1GPE MATRIX 5-5T/1.3 ESPM | Frequency Hz | 50 | |
| 10 | Design | Booster Set | | | |
| 11 | Manufacturer | | Impeller Dia. | Max. mm | 97 |
| 12 | Speed rpm | 2850 | | Designed mm | 97 |
| 13 | No. of Stage | 5 | | Min. mm | 97 |
| 14 | Connection Suction side | G1 1/4 F PN10 | Flow | Operating m ³ /h | |
| 15 | Connection Discharge side | G1 F PN10 | | Max- m ³ /h | 7.8 |
| 16 | Max Working Pressure kPa | 1000 | | Min- m ³ /h | 1.8 |
| 17 | Shut-off head kPa | 563.25 | Head | Operating m | |
| 18 | Total weight kg | See the table of "Dimensions". | | - (Qmax.) m | 22.0 |
| 19 | Shaft power kW | | | - (Qmin.) m | 53.7 |
| 20 | | | Max. Shaft Power at max. impeller kW | 1.09 | |
| 21 | Required NPSH m | | Efficiency % | | |

Materials

| | | | | |
|----|----------------------|---------------------|--------|------|
| 22 | Check valve | AISI 304/Silicone | O-ring | EPDM |
| 23 | Impeller | AISI 304 | | |
| 24 | Casing | AISI 304 | | |
| 25 | External pump casing | AISI 304 | | |
| 26 | Shaft | AISI 304 | | |
| 27 | Shaft seal | Ceramic/Carbon/EPDM | | |

Motor

| | | | | |
|----|----------------------|--------------------------------------|--------------------|-----|
| 28 | Manufacturer | EPE Standard | Insulation class | F |
| 29 | Type | TEFC_MATRIX 5-5T/1.3_230_Three Phase | Phases | 3~ |
| 30 | Specific design | IE3 / 50 Hz / Pole pairs 1 | Frame size | |
| 31 | Rated power kW | 1.3 | Weight; motor kg | |
| 32 | Number of poles | 2 | Electric voltage V | 230 |
| 33 | Speed rpm | 2850 | Electric current A | 5.8 |
| 34 | Degree of protection | IP 55 | | |
| 35 | | | | |

Remarks

Performance curve

Booster set name

1GPE MATRIX 5-5T/1.3 ESPM

| | | |
|----------|-----------------|-----------|
| Customer | Date 05.04.2024 | Company |
| Contact | Item no. | Issued by |
| Phone | Project | Phone |
| E-mail | Project ID | E-mail |

Requested data

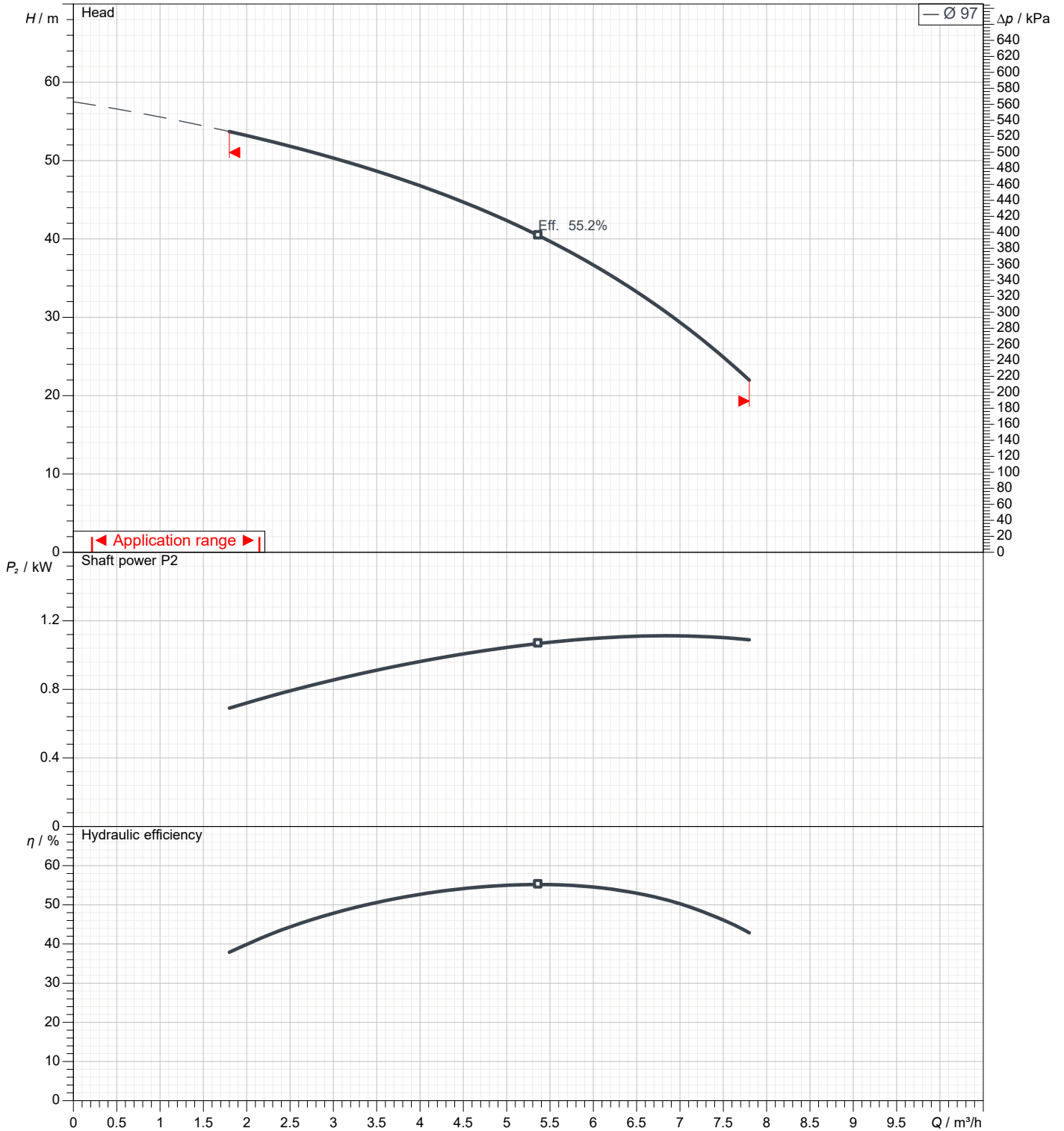
| | | | |
|---|---------------|------|--|
| 1 | Flow | m³/h | |
| 2 | Head | m | |
| 3 | Geodetic head | m | |

Booster set

| | | | | |
|---------------------------|------|-----------------|-------|----------|
| Operating flow | m³/h | Frequency | Hz | 50 |
| Operating head | m | Number of poles | | 2 |
| ImpellerDiameter Designed | mm | 97 | Speed | rpm 2850 |

Test standard: ISO 9906:2012 - Grade3B

Water; 20°C; 998.3kg/m³; 1cSt

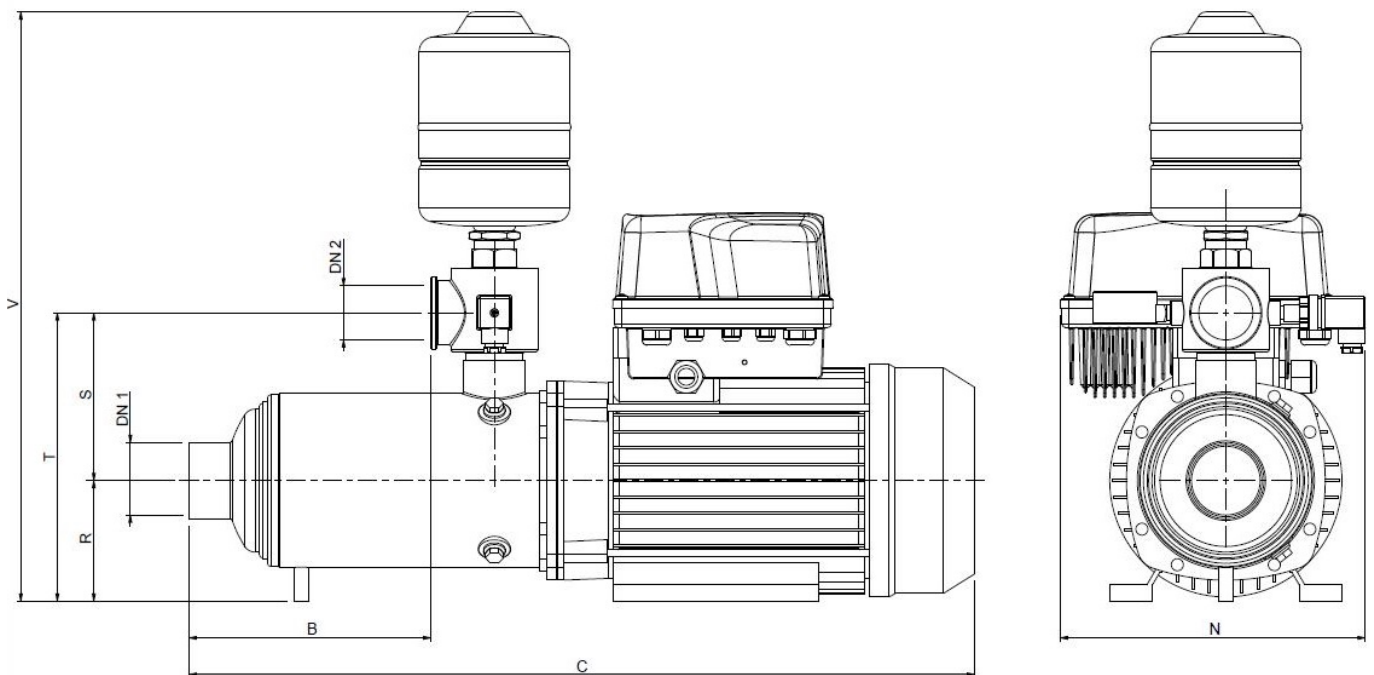


Dimensions

Booster set name

1GPE MATRIX 5-5T/1.3 ESPM

| | | |
|----------|-----------------|-----------|
| Customer | Date 05.04.2024 | Company |
| Contact | Item no. | Issued by |
| Phone | Project | Phone |
| E-mail | Project ID | E-mail |



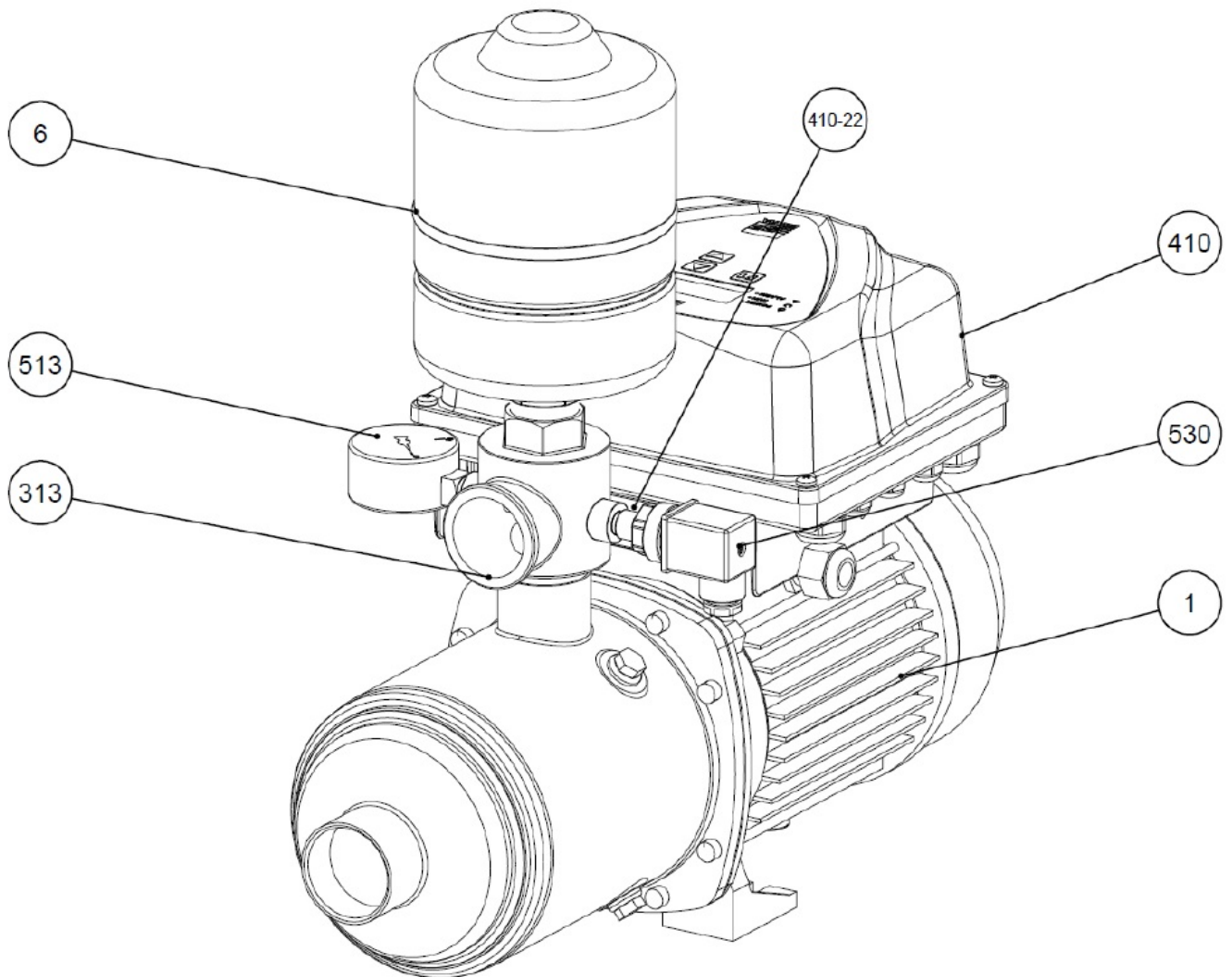
| Dimensions in | | mm | | | | | | |
|---------------|-----------|----------|--|--|--|--|--|--|
| 1 | B | 101 | | | | | | |
| 2 | C | 443 | | | | | | |
| 3 | DN1 | G1 1/4 F | | | | | | |
| 4 | DN2 | G1 F | | | | | | |
| 5 | N | 243 | | | | | | |
| 6 | R | 90 | | | | | | |
| 7 | S | 133 | | | | | | |
| 8 | T | 223 | | | | | | |
| 9 | V | 461 | | | | | | |
| 10 | Weight kg | 18.4 | | | | | | |
| 11 | | | | | | | | |
| 12 | | | | | | | | |
| 13 | | | | | | | | |
| 14 | | | | | | | | |
| 15 | | | | | | | | |

(1/2) Construction

Booster set name

1GPE MATRIX 5-5T/1.3 ESPM

| | | |
|----------|-----------------|-----------|
| Customer | Date 05.04.2024 | Company |
| Contact | Item no. | Issued by |
| Phone | Project | Phone |
| E-mail | Project ID | E-mail |



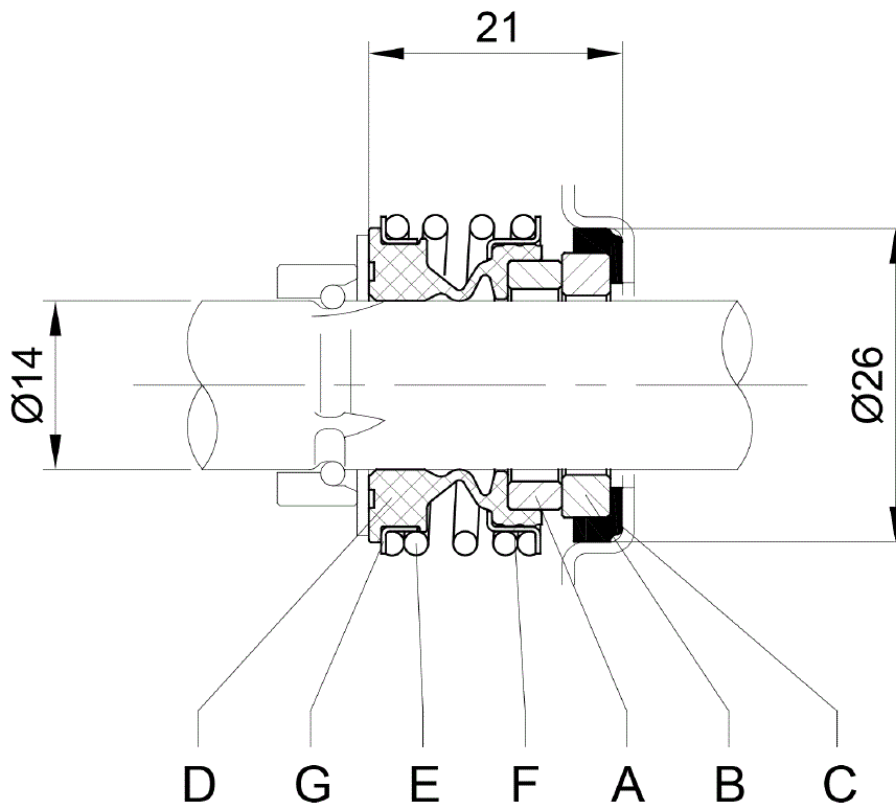
| N° | PART NAME | MATERIAL | Quantity |
|--------|----------------------|------------------------|----------|
| 1 | Electropump | - | 1 |
| 6 | Membrane Vessel | - | 1 |
| 313 | 5-Way Check Valve | AISI 304 | 1 |
| 410 | E-SPD+ | - | 1 |
| 410-22 | E-SPD+ adaptor | - | 1 |
| 513 | Pressure gauge | Copper alloy / plastic | 1 |
| 530 | Pressure transmitter | - | 1 |

(2/2)
Construction

Booster set name
1GPE MATRIX 5-5T/1.3 ESPM

| | | |
|----------|-----------------|-----------|
| Customer | Date 05.04.2024 | Company |
| Contact | Item no. | Issued by |
| Phone | Project | Phone |
| E-mail | Project ID | E-mail |

MECHANICAL SEAL



| STANDARD* | A | B | C | Material | E | F | G |
|-----------|------------------|----------------------|--------|-----------|----------------------|----------------------|----------------------|
| | Rotary seal ring | Stationary seal ring | Gasket | D Bellows | Spring | Frame | Retainer ring |
| | Carbon | Ceramic | EPDM | EPDM | EN 1.4402 (AISI 316) | EN 1.4402 (AISI 316) | EN 1.4402 (AISI 316) |

*Approval for drinking water application
WRAS Approval product

