

Technical Data

Booster set name

2GPE MATRIX 3-5T/0,75 ESPM (UK)

Customer	Date	05.04.2024	Company
Contact	Item no.		Issued by
Phone	Project		Phone
E-mail	Project ID		E-mail

Requested data

1	Pump type	Booster Set	Fluid	Water
2	Number of pumps	2	Liquid temperature	°C 20
3	Flow	m ³ /h	Kin. viscosity	cSt 1.005
4	Head	m	Vapour pressure	kPa 2.34
5	Geodetic head	m	PH value	
6	Inlet pressure	kPa 0	Density	kg/m ³ 998.3
7	Available system NPSH	Ask our technical department.	Solids	Weight % 0
8	Ambient temperature	°C 20	Installation height	m 100

Booster Set

9	Booster set name	2GPE MATRIX 3-5T/0,75 ESPM (UK)	Frequency	Hz 50
10	Design	Booster Set		
11	Manufacturer		Impeller Dia.	Max. mm 99
12	Speed	rpm 2850		Designed mm 99
13	No. of Stage	5		Min. mm 99
14	Connection	Suction side UNI ISO 228 PN16	Flow	Operating m ³ /h
15	Connection	Discharge side UNI ISO 228 PN16		Max- m ³ /h 4.8
16	Max Working Pressure	kPa 1000		Min- m ³ /h 1.2
17	Shut-off head	kPa 553.21	Head	Operating m
18	Total weight	kg See the table of "Dimensions".		- (Qmax.) m 20.0
19	Shaft power	kW		- (Qmin.) m 52.2
20			Max. Shaft Power at max. impeller	kW 0.73
21	Required NPSH	m	Efficiency	%

Materials

22	Frame	Galvanized steel	External pump casing	AISI 304
23	Manifold	AISI 304	Shaft	AISI 304
24	Check valve	Brass / NBR	Shaft seal	Ceramic/Carbon/EPDM
25	Ball valve	Brass / PTFE	O-ring	EPDM
26	Impeller	AISI 304		
27	Casing	AISI 304		

Motor

28	Manufacturer	EPE Standard	Insulation class	F
29	Type	TEFC_MATRIX 3-5T/0.75_230_Three Phase	Phases	3~
30	Specific design	IE3 / 50 Hz / Pole pairs 1	Frame size	
31	Rated power	kW 0.75	Weight; motor	kg
32	Number of poles	2	Electric voltage	V 230
33	Speed	rpm 2850	Electric current	A 3
34	Degree of protection	IP 55		
35				

Remarks

Item intended for the UK market only.

Performance curve

Booster set name

2GPE MATRIX 3-5T/0,75 ESPM (UK)

Customer	Date	05.04.2024	Company
Contact	Item no.		Issued by
Phone	Project		Phone
E-mail	Project ID		E-mail

Requested data

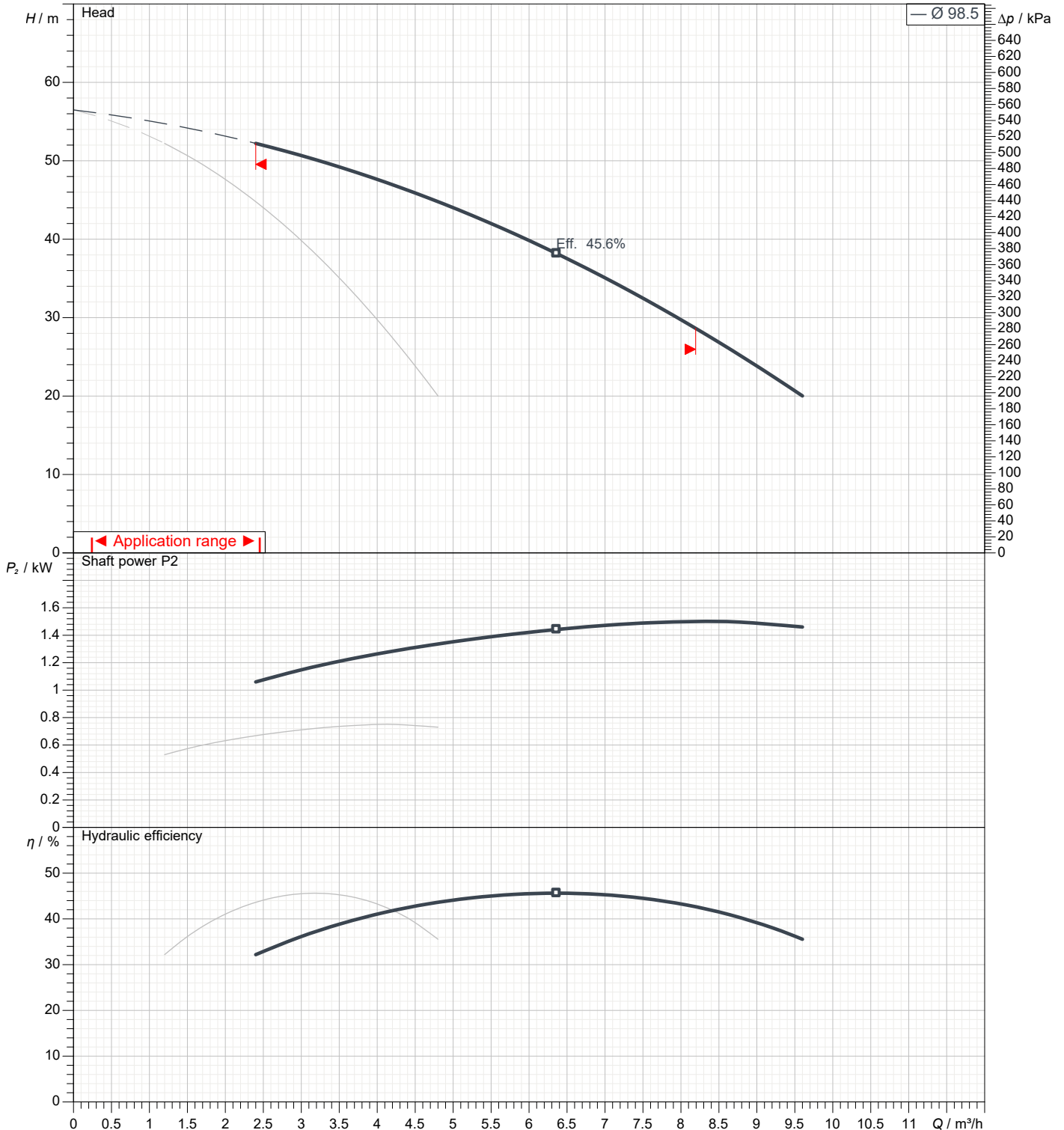
1	Flow	m³/h	
2	Head	m	
3	Geodetic head	m	

Booster set

Operating flow	m³/h		Frequency	Hz	50
Operating head	m		Number of poles		2
ImpellerDiameter Designed	mm	99	Speed	rpm	2850

Test standard: ISO 9906:2012 - Grade3B

Water; 20°C; 998.3kg/m³; 1cSt

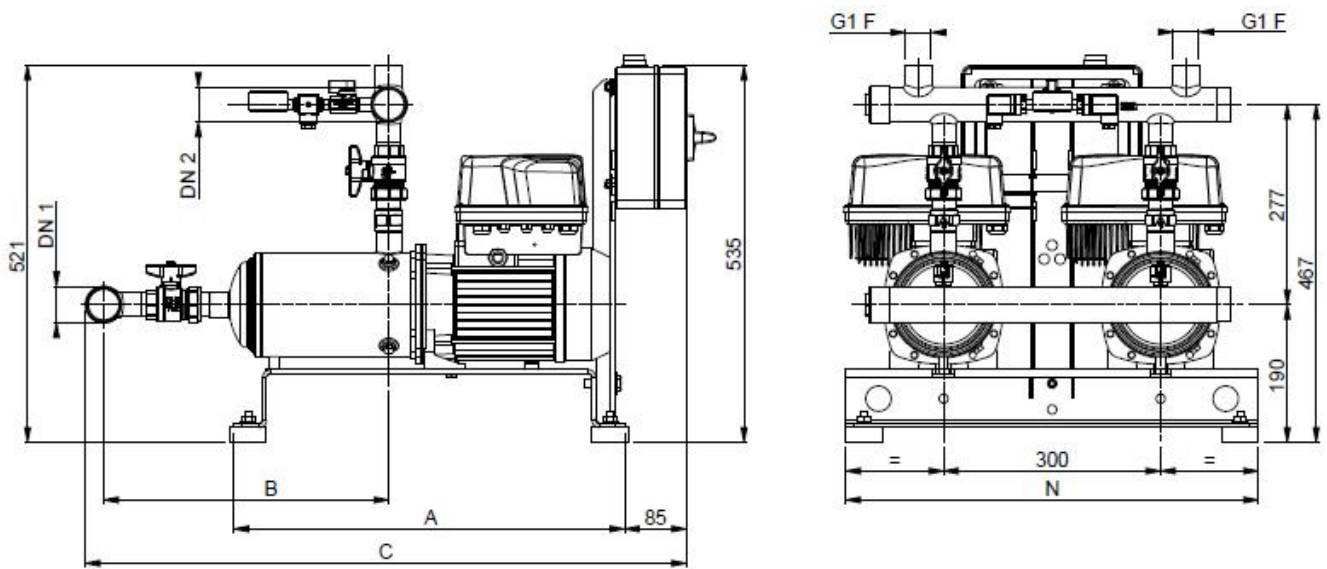


Dimensions

Booster set name

2GPE MATRIX 3-5T/0,75 ESPM (UK)

Customer	Date 05.04.2024	Company
Contact	Item no.	Issued by
Phone	Project	Phone
E-mail	Project ID	E-mail



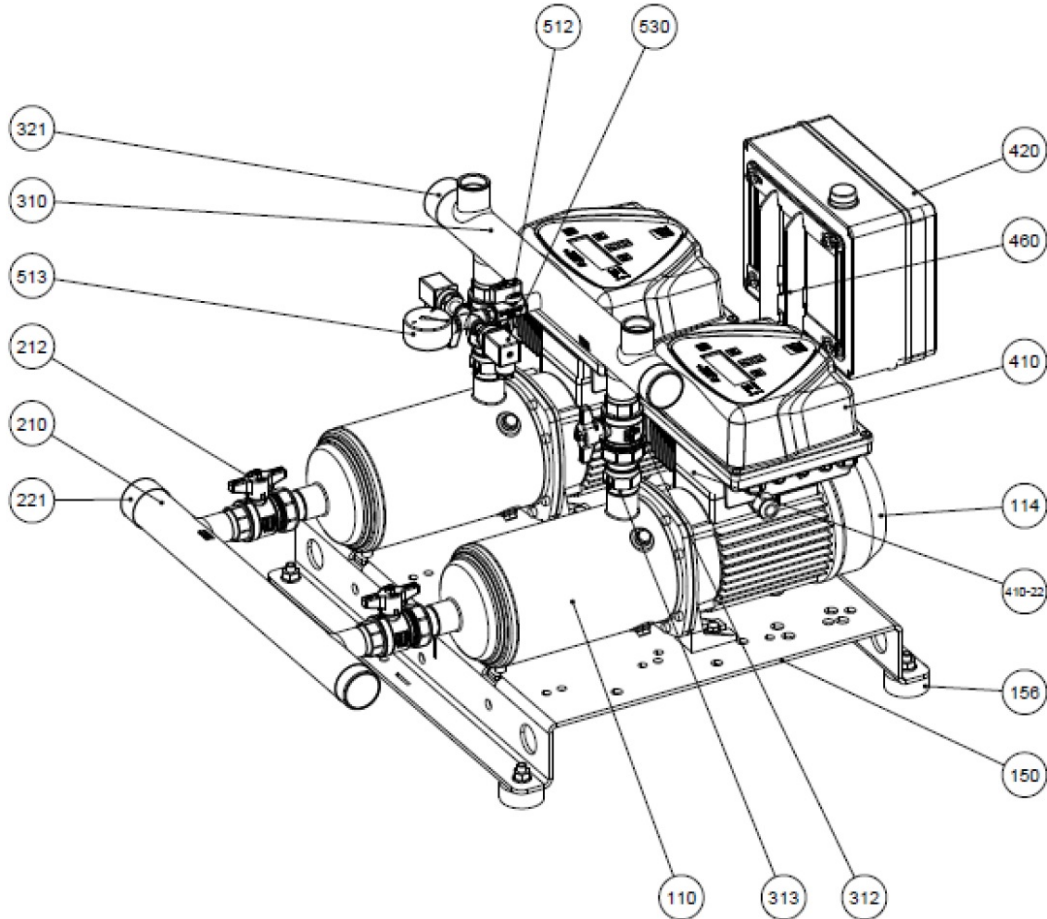
Dimensions in		mm						
1	A	380						
2	B	300						
3	C	720						
4	DN1	G1 1/2						
5	DN2	G1 1/2						
6	N	550						
7	Weight kg	50						
8								
9								
10								
11								
12								
13								
14								
15								

(1/2) Construction

Booster set name

2GPE MATRIX 3-5T/0,75 ESPM (UK)

Customer	Date 05.04.2024	Company
Contact	Item no.	Issued by
Phone	Project	Phone
E-mail	Project ID	E-mail



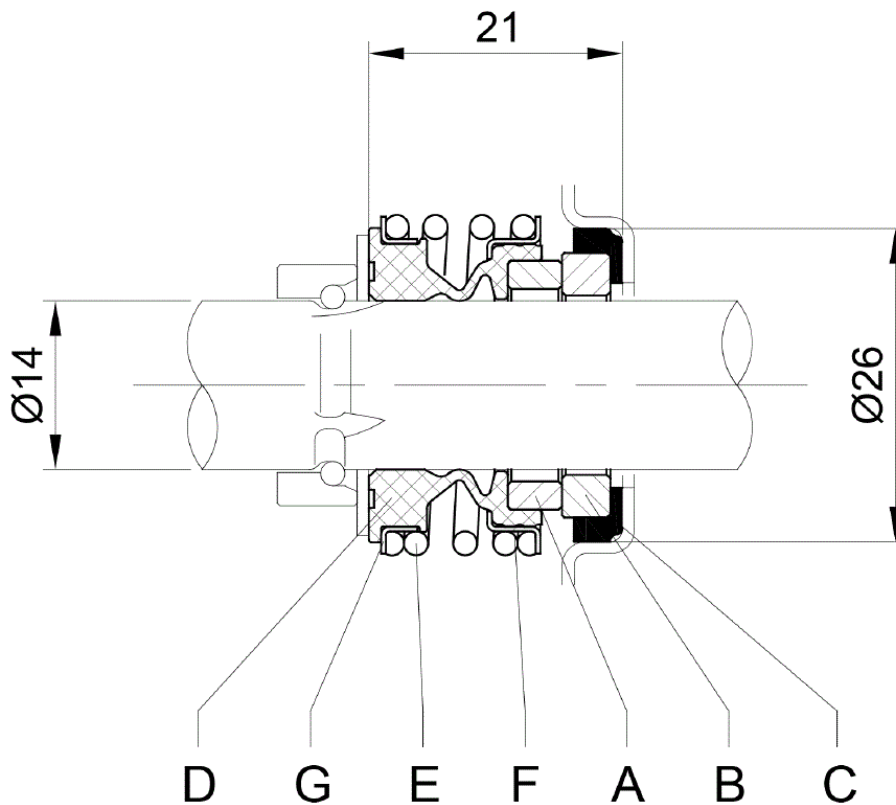
N°	PART NAME	MATERIAL	Quantity
110	Principal pump	-	2
114	Electric motor	-	2
150	Baseplate	Galvanized steel	1
156	Baseplate foot	SBR	4
210	Suction manifold	AISI 304	1
212	Union ball valve	Brass / P.T.F.E.	2
221	Threaded female cap	AISI 304	1
310	Discharge manifold	AISI 304	1
312	Union ball valve	Brass / P.T.F.E.	2
313	Check valve	Brass / NBR	2
321	Threaded female cap	AISI 304	1
410	E-SPD+	-	2
410-22	E-SPD+ adaptor	-	2
420	Protection panel	-	1
460	Protection panel frame	Galvanized steel	1
512	Ball valve	Brass / P.T.F.E.	1
513	Pressure gauge	Copper alloy / plastic	1
530	Pressure transmitter	-	2

(2/2)
Construction

Booster set name
2GPE MATRIX 3-5T/0,75 ESPM (UK)

Customer	Date 05.04.2024	Company
Contact	Item no.	Issued by
Phone	Project	Phone
E-mail	Project ID	E-mail

MECHANICAL SEAL



	A	B	C	Material		G	
	Rotary seal ring	Stationary seal ring	Gasket	D	E	Retainer ring	
				Bellows	Spring		
					Frame		
STANDARD*	Carbon	Ceramic	EPDM	EPDM	EN 1.4402 (AISI 316)	EN 1.4402 (AISI 316)	EN 1.4402 (AISI 316)

*Approval for drinking water application
WRAS Approval product

