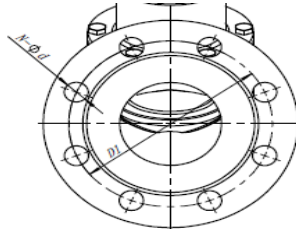
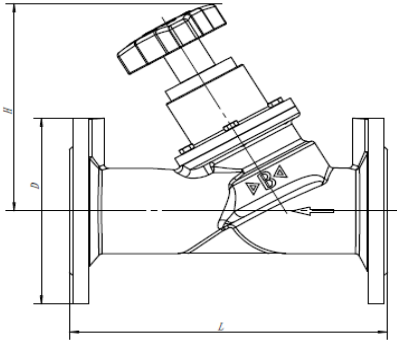




DOUBLE REGULATING VALVE

9510X CI DRV

Dimensions



Size DN	L mm	H mm	D mm	D1 mm	Weight kg	Product Code
65	290	215	185	145	13.05	27200011
80	310	225	200	160	16.05	27200022
100	350	240	220	180	21.65	27200033
125	400	270	250	210	31.60	27200044
150	480	280	285	240	47.75	27200055
200	600	420	340	295	79.25	27200066

Technical Specification

Nominal Pressure	PN16
Maximum Temperature	120°C
Minimum Temperature	-10°C
Connection	Flanged PN16
Conforms to BS 7350: 1990	

Materials of Construction

Handwheel	DN65-150 Polyamide PA6 (DN200 Cast Aluminium)
Gland	Brass CuZn40
Memory Device	Brass CuZn40
Stem	Brass CuZn40
Disc	Brass CuZn40
Body	Ductile Iron EN-JS1040
Sealing Ring	Rubber EPDM